

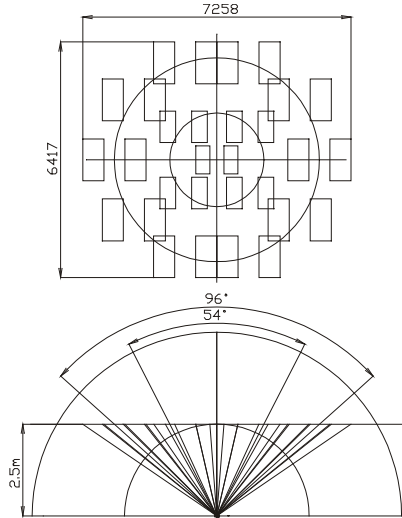
Small PIR Sensor Module

MS-400 Series – PIR Module with lens

MS-400 Series are small PIR Sensor modules, that combine a pyroelectric infrared detector, sensor circuitry with its own lens.



□ Detection Area



□ Features

- Newly developed small lens combined with PIR sensor, OP-amp, and Comparator.
- 14.3mm in diameter, 15.9mm high.
- Can be installed on printed circuit boards directly with 3 reeds.
- Selectable in white and gray color lens.

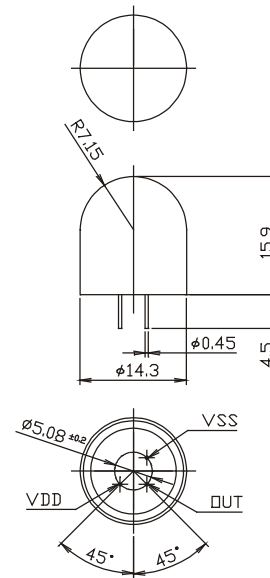
□ Applications

- Automatic lighting switches.
- Safety systems.
- Intruder alarms.

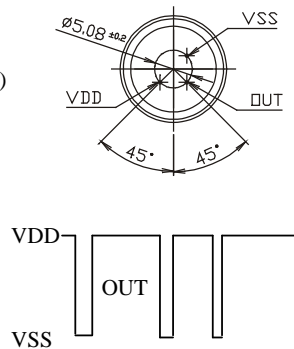
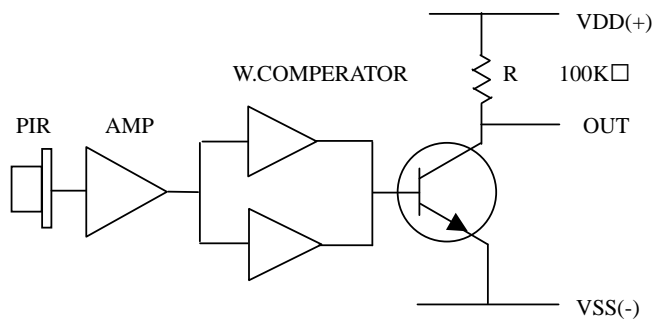
□ Characteristics

	MS-401	MS-402
Power Supply Voltage	4.5V□5.5V	3.0V□5.5V
Power Consumption	1.2mA TYP	120□A TYP
Operating temperature	□10□□□50□	□10□□□50□
Output	Comparator out Active□Low	Comparator out Active□Low
Output current I sink	min6mA, typ16mA	min6mA, typ16mA

□ External Dimensions (mm)



□ Circuit Diagram



FUJI & CO., No.1-4-6, Kawaramachi, Chuo-Ku,  
Osaka, 541-0048, JAPAN.  
Tel: 06-6226-1348 Fax: 06-6226-1369  
E-Mail: fuji-piezo@mb.newweb.ne.jp